



Most Widely Accepted and Trusted

ICC-ES Report

ESR-1812

ICC-ES | (800) 423-6587 | (562) 699-0543 | www.icc-es.org

Reissued 11/2016
This report is subject to renewal 11/2017.

DIVISION: 09 00 00—FINISHES
SECTION: 09 29 10—GYPSUM BOARD ACCESSORIES

REPORT HOLDER:

CONLAB, INC. dba PREST-ON CO.

**600 MID-AMERICA BOULEVARD
HOT SPRINGS, ARKANSAS 71913**

EVALUATION SUBJECT:

**PREST-ON CORNERBACK, FRAMERBACK AND INSTA-BACK
DRYWALL SUPPORTING CLIPS**



Look for the trusted marks of Conformity!

“2014 Recipient of Prestigious Western States Seismic Policy Council (WSSPC) Award in Excellence”



A Subsidiary of  **ICC**
INTERNATIONAL
CODE COUNCIL™

ICC-ES Evaluation Reports are not to be construed as representing aesthetics or any other attributes not specifically addressed, nor are they to be construed as an endorsement of the subject of the report or a recommendation for its use. There is no warranty by ICC Evaluation Service, LLC, express or implied, as to any finding or other matter in this report, or as to any product covered by the report.



ICC-ES Evaluation Report

ESR-1812

Reissued November 2016

This report is subject to renewal November 2017.

www.icc-es.org | (800) 423-6587 | (562) 699-0543

A Subsidiary of the International Code Council®

DIVISION: 09 00 00—FINISHES
Section: 09 29 10—Gypsum Board Accessories

REPORT HOLDER:

CONLAB, INC., dba PREST-ON CO.
600 MID-AMERICA BOULEVARD
HOT SPRINGS, ARKANSAS 71913
(501) 767-3855
www.prest-on.com
sales@preston.com

EVALUATION SUBJECT:

PREST-ON CORNERBACK, FRAMERBACK AND INSTA-BACK DRYWALL SUPPORTING CLIPS

1.0 EVALUATION SCOPE

Compliance with the following codes:

- 2012, 2009 and 2006 *International Building Code*® (IBC)
- 2012, 2009 and 2006 *International Residential Code*® (IRC)
- 2013 *Abu Dhabi International Building Code* (ADIBC)[†]

[†]The ADIBC is based on the 2009 IBC. 2009 IBC code sections referenced in this report are the same sections in the ADIBC.

Properties evaluated:

- Structural
- Fire-resistance-rated construction

2.0 USES

The Prest-On gypsum board (drywall) supporting clips include Cornerback, Framerbak, and Insta-back. The Cornerback and Framerbak clips are alternatives to framing or blocking used to provide support for gypsum board joints at 90-degree wall corners.

The Insta-Back is an alternative to the requirement for edges/ends of gypsum boards to be supported by framing or blocking where the gypsum boards are installed in the same plane, and is used for either gypsum board repair or for new construction.

The Prest-On gypsum board (drywall) supporting clips are used in interior, load-bearing and nonload-bearing wall assemblies in buildings of light-frame construction. The Prest-On Cornerback and Insta-Back clips in fire-resistance-rated assemblies and in vertical diaphragm construction must be as described in Sections 4.2, 4.4 and 4.5.

3.0 DESCRIPTION

3.1 Prest-On Cornerback:

The Prest-On Cornerback clips are manufactured from minimum No. 24 gage [0.024-inch-thick (0.61 mm) base-metal thickness] cold-formed steel conforming to ASTM A1008, Drawing Steel (DS), Type B, galvanized in accordance with ASTM A879 with a minimum coating designation of 40G on each surface, and formed into a channel-shaped section, 2 inches (63 mm) in length. A fastening tab projects from the side of the Cornerback clip, and the distance between the channel flanges is varied to provide for the attachment of 1/2- or 5/8-inch-thick (12.7 or 15.9 mm) gypsum board. See Figure 1.

3.2 Prest-On Framerbak:

The Prest-On Framerbak clips are manufactured from minimum No. 24 gage [0.024-inch-thick (0.61 mm) base-metal thickness] cold-formed steel conforming to ASTM A1008, Drawing Steel (DS), Type B, galvanized in accordance with ASTM A879 with a minimum coating designation of 40G on each surface, and formed into a tee-shaped section with the flange portion 2.5 inches (51 mm) in length and 1.5 inches (37 mm) in width. A fastening tab, acting as the web of the tee-section, projects 1 3/8 inches (35 mm) above the flange and two locating tabs, and is perforated to accept drywall screws to provide attachment to 1/2- or 5/8-inch-thick (12.7 or 15.9 mm) gypsum board. See Figure 2.

3.3 Prest-On Insta-Back:

The Prest-On Insta-Back clips are manufactured from minimum No. 24 gage [0.024-inch-thick (0.61 mm) base-metal thickness] cold-formed steel conforming to ASTM A1008, Drawing Steel (DS), Type B, galvanized in accordance with ASTM A879 with a minimum coating designation of 40G on each surface, and formed into steel plates that are perforated to accept drywall screws. The clips are 3 inches (76 mm) long, and 1 7/8 inches (48 mm) wide at their widest point and 1 3/16 inches (30 mm) wide at their narrowest point. The Insta-Back clip has two removable spring tabs that extend away from the clip by making two approximately 90-degree bends. The distance between the body and the spring tabs is varied so as to provide attachment of 1/2- or 5/8-inch-thick (12.7 or 15.9 mm) gypsum board. See Figure 3.

4.0 INSTALLATION

Installation of the Prest-On Cornerback, Framerbak, and Insta-Back clips must comply with this report and the manufacturer's published installation instructions. The manufacturer's published installation instructions must be available at the jobsite at all times during installation. After installation, all gypsum board joints must be taped. Tape must not be overlapped. Joints, clips and fastener heads must be treated with joint compound.

4.1 Fasteners:

The Prest-On Cornerback and Framerback clips must be fastened to the supporting structural framing with one No. 13 gage [0.099-inch-shank-diameter (2.5 mm)] drywall nail (for each wood framing member) or one No. 6 by 1¹/₄-inch-long (32 mm) Type W or S drywall screw, conforming to ASTM C954 or C1002 (for each wood or steel framing member, respectively).

Each Prest-On Framerback and Insta-Back clip must be fastened to the applied gypsum board and the adjacent gypsum board with No. 6 by 1-inch-long (25.4 mm), Type W or S drywall screws, conforming to ASTM C954 or C1002. See Figures 4 and 5.

4.2 Prest-On Cornerback:

The Prest-On Cornerback clips must be spaced a maximum of 16 inches (406 mm) on center, within 2 inches (51 mm) of each unsupported gypsum board corner. The clips must be first applied to the edge of the gypsum board. See Figure 6. The gypsum board must then be placed in position adjacent to the wall or ceiling corner and the fastening tab must be attached to the structural framing through a punched hole in the fastening tab with one fastener in accordance with Section 4.1. See Figure 7. The abutting gypsum board must then be placed against the installed gypsum board and connected to the structural framing as required by Chapters 23 and 25 of the IBC, or Chapters 6 and 7 of the IRC. See Figure 8.

4.2.1 One-hour Fire-resistance-rated Wood Stud Construction (Wall Assembly): The load-bearing or nonload-bearing one-hour fire-resistance-rated wood stud wall construction consists of one layer of 5/8-inch-thick (15.9 mm), Type X gypsum board attached to wood plates and wood studs, spaced a maximum of 24 inches (610 mm) on center, with 6d cooler nails spaced 7 inches (178 mm) on center, except at wall corner intersections. Joint treatment must be provided in accordance with IBC Section 2508.4. At wall intersections, the gypsum board must be attached with Prest-On Cornerbacks in accordance with Section 4.2. The tab portion of the Prest-On Cornerback must be covered by a minimum 1/2-inch-thick (12.7 mm) gypsum board, where nonfire-resistance-rated walls intersect fire-resistance-rated walls.

4.2.2 Two-hour Fire-resistance-rated Wood Stud Construction (Wall Assembly): The load-bearing or nonload-bearing two-hour fire-resistance-rated wood stud wall construction consists of two layers of 5/8-inch-thick (15.9 mm), Type X gypsum board attached to wood plates and wood studs, spaced a maximum of 16 inches (407 mm) on center. The base layer must be applied vertically (with gypsum board edges oriented parallel to framing members) and fastened with 6d cooler nails, spaced 7 inches (178 mm) on center except at wall corner intersections. At wall intersections, the gypsum board must be attached with Prest-On Cornerbacks in accordance with Section 4.2. The face layer must be applied horizontally (with gypsum board edges oriented at right angles to framing members), with the horizontal joints staggered 2 feet (610 mm) from the joints of the base layer. The face layer must be attached with 8d cooler nails spaced 8 inches (204 mm) on center. Joint treatment must be provided in accordance with IBC Section 2508.4.

4.2.3 One-hour Fire-resistive-rated Wood Joist Construction (Ceiling Assembly): The construction consists of 1/2-inch-thick (12.7 mm), Type X gypsum board attached to wood joists installed in accordance with item 13-1.4 of Table 720.1(3) of the 2012 IBC (Table 720.1(3) of the 2009 and 2006 IBC, as applicable). At the ceiling-wall intersections, the horizontal gypsum board must be

secured with Prest-On Cornerbacks in accordance with Section 4.2. The fastening tab portion of the Prest-On Cornerback must be covered by minimum 1/2-inch-thick (12.7 mm) gypsum board where nonfire-resistance-rated walls intersect the fire-resistance-rated floor-ceiling construction. Joint treatment must be provided in accordance with IBC Section 2508.4.

4.3 Prest-On Framerback:

The Prest-On Framerback clips must be spaced a maximum of 16 inches (406 mm) on center, within 2 inches (51 mm) of each unsupported gypsum board corner. The clips must be first fastened to the supporting wood framing member, by aligning the two locating tabs to the side of the supporting member, and the web of clips must then be fastened to the perpendicular side of the framing member through a punched hole in the web, with one fastener in accordance with Section 4.1 for each clip. The gypsum board must then be placed in position adjacent to the wall or ceiling corner with the face of the gypsum board butted against the flange of the Framerback clips, and fastened to the flange of the clips with one fastener in accordance with Section 4.1 for each clip. See Figure 4. The abutting gypsum board must then be placed against the installed gypsum board and connected to the structural framing as required by Chapters 23 and 25 of the IBC, or Chapters 6 and 7 of the IRC.

4.4 Prest-On Insta-Back:

The Prest-On Insta-Back clips may be used to connect two edges of gypsum board (three edges for in-plane corner conditions) for new or repair applications. The clips must be spaced a maximum of 12 inches (305 mm) on center. The Insta-Back clip may be rotated 90 degrees from the plane of the other clips at three edges of gypsum boards for in-plane corner conditions. The clip must first be applied to the edge of the gypsum board to be installed. See Figure 9. One fastener, in accordance with Section 4.1 of this report, must be driven through the gypsum board into the Insta-Back, approximately 3/4 inch (19.1 mm) from the gypsum board edge. The gypsum board must then be placed in position, and one fastener, in accordance with Section 4.1 of this report, must be driven through the adjacent gypsum board between the projecting tabs (and at a right angle to the first fastener secured to the clip for in-plane corner conditions) into the Insta-Back, approximately 3/4 inch (19.1 mm) from the gypsum board edge. The spring tabs on the Insta-Back must be snapped off before finishing. Abutting gypsum boards must be connected to the structural framing as required by Chapters 23 and 25 of the IBC or Chapters 6 and 7 of the IRC. See Figures 5 and 10.

4.4.1 One-hour Fire-resistance-rated Wood Stud Wall Construction (Wall Assembly): The load-bearing or nonload-bearing one-hour fire-resistance-rated wood stud wall construction consists of one layer of 5/8-inch-thick (15.9 mm), Type X gypsum board attached to wood plates and wood studs spaced a maximum of 16 inches (406 mm) on center. The gypsum board must be attached to the plates and studs with 1⁵/₈-inch-long (41 mm), Type W drywall screws spaced a maximum of 12 inches (305 mm) on center, except at gypsum board edges between studs. Joint treatment must be provided in accordance with IBC Section 2508.4. At edges, the gypsum board must be attached with Insta-Backs spaced a maximum of 12 inches (305 mm) on center, with the mid-height Insta-Back rotated 90 degrees. The Insta-Back clips may be attached to up to three gypsum board sheets with fasteners in accordance with Section 4.1. The spring tabs must then be removed. When patching or repairing holes measuring up to 6 by

8 inches (152 by 203 mm), $\frac{1}{2}$ -inch-thick (12.7 mm) Type X gypsum board may be used, provided that a $\frac{1}{8}$ -inch-thick (3.2 mm) layer of joint treatment is applied over the patched area.

4.4.2 Two hour Fire-resistance-rated Wood Stud Wall Construction (Wall Assembly): The load-bearing or nonload-bearing two-hour fire-resistance-rated wood stud wall construction consists of two layers of $\frac{5}{8}$ -inch-thick (15.9 mm), Type X gypsum board attached to wood plates and wood studs spaced a maximum of 16 inches (406 mm) on center. The base layer must be applied vertically and as described in Section 4.4.1. The upper and lower Insta-Backs must be located a maximum of 12 inches from the plates. The face layer must be applied horizontally and as described in Section 4.2.2. Joint treatment must be provided in accordance with IBC Section 2508.4.

4.4.3 One-hour Fire-resistive-rated Wood-Joist Construction (Ceiling Assembly): The construction consists of $\frac{1}{2}$ -inch-thick (12.7 mm), Type X gypsum board attached to wood joists installed with item 13-1.4 of Table 721.1(3) of the 2012 IBC (Table 720.1(3) of the 2009 and 2006 IBC, as applicable). At unsupported gypsum board edges, the gypsum board must be secured with Insta-Backs in accordance with Section 4.4. One-half-inch-thick (12.7 mm), Type X gypsum board, secured with Insta-Backs in accordance with Section 4.4 of this report, may also be used to patch or repair holes measuring up to 6 by 8 inches (152 by 203 mm). Joint treatment must be provided in accordance with IBC Section 2508.4.

4.5 Vertical Diaphragm (Shear Wall) Construction:

The construction consists of gypsum board attached to the top and bottom wood plates with minimum 6d cooler or 0.092-inch-diameter-by- $1\frac{5}{8}$ -inch-long (2.3 by 41.3 mm) nails as required by the applicable code. The vertical gypsum board edge at the wall intersection must be secured, with Prest-On Cornerbacks spaced a maximum of 8 inches (203 mm) on center, with one fastener within 2 inches (51 mm) of each unsupported gypsum board corner, as described in Section 4.2; or away from the end of the walls with Prest-On Insta-Backs spaced 12 inches (305 mm) on center, with the mid-height Insta-Backs rotated 90 degrees to secure the intersection of the three sheets of gypsum board, as described in Section 4.4. See Figures 5 and 10. The construction must be limited to wood stud walls spaced a maximum of 16 inches (406 mm) on center, using gypsum board with edges of full (nontapered) thicknesses. Assemblies incorporating Prest-On Cornerbacks and Insta-Backs, described in Section 4.5, may be recognized as equivalent to conventional unblocked and single-layer gypsum board sheathed shear walls, including the assigned allowable shear values, noted in AF&PA SDPWS Section 4.3.3 including Table 4.3C for the shear walls constructed with sheathing material identified as “gypsum wallboard, gypsum base for veneer plaster, or water-resistant gypsum backing board” in Table 4.3C of AF&PA SDPWS for the 2012 and 2009 IBC and IRC (shear walls constructed with sheathing material identified as Type 4 material described in Table 2306.4.5 of the 2006 IBC for the 2006 IBC and IRC), provided the construction of gypsum board sheathed wood framed wall assemblies with Prest-On clips is identical to the shear walls constructed with sheathing material identified as “gypsum wallboard, gypsum base for veneer plaster, or water-resistant gypsum backing board” in Table 4.3C of AF&PA SDPWS for the 2012 and 2009 IBC and IRC (shear walls constructed with sheathing material identified as Type 4 material described in the 2006 IBC Table 2306.4.5 for the 2006 IBC and IRC), with the exception of application of Prest-On clips, described in

Section 4.5 of this report. Limitations noted in the applicable code apply. Wall construction not specifically described must conform to the applicable code.

5.0 CONDITIONS OF USE

The Prest-On Cornerback, Framedback, and Insta-Back clips described in this report comply with, or are suitable alternatives to what is specified in, those codes listed in Section 1.0 of this report, subject to the following conditions:

- 5.1 The products must be manufactured, identified and installed in accordance with this report, the manufacturer’s published installation instructions and the applicable code. In the event of a conflict between the manufacturer’s published installation instructions and this report, this report governs.
- 5.2 The Prest-On Cornerback, Framedback, and Insta-Back clips must be limited to interior use.
- 5.3 The Prest-On Cornerback and Insta-Back clips used as components in fire-resistance-rated construction must be as described in Sections 4.2.1 through 4.2.3 and 4.4.1 through 4.4.3 of this report.
- 5.4 Gypsum board sheathed shear walls utilizing Prest-On Cornerback and Insta-Back clips, as described in Section 4.5, are limited to structures assigned to Seismic Design Categories A and B only.
- 5.5 Gypsum board sheathed shear walls utilizing Prest-On Cornerback and Insta-Back clips, described in Section 4.5, are limited to shear walls constructed with sheathing material identified as “gypsum wallboard, gypsum base for veneer plaster, or water-resistant gypsum backing board” in Table 4.3C of AF&PA SDPWS for the 2012 and 2009 IBC and IRC (shear walls constructed with sheathing material identified as Type 4 material described in Table 2306.4.5 of the 2006 IBC for the 2006 IBC and IRC), with unblocked and single-layer gypsum board conditions. The limitations noted in AF&PA SDPWS Section 4.3.3 including Table 4.3C, for the shear walls constructed with sheathing material identified as “gypsum wallboard, gypsum base for veneer plaster, or water-resistant gypsum backing board” in Table 4.3C of AF&PA SDPWS for the 2012 and 2009 IBC and IRC (shear walls constructed with sheathing material identified as Type 4 material described in the 2006 IBC Section 2306.4.5, including the footnotes in Table 2306.4.5, for the 2006 IBC and IRC), apply to the use of the Prest-On Cornerback and Insta-Back clips.
- 5.6 The use of Prest-On clips in horizontal ceiling diaphragm assemblies is outside the scope of this evaluation report.
- 5.7 Use of Prest-On clips in braced wall panel locations, as described in IBC Section 2308.9 and IRC Section R602.10, is not permitted.
- 5.8 Wall construction not specifically mentioned in this report must conform to Chapters 23 and 25 of the IBC, or Chapters 6 and 7 of the IRC, as applicable.

6.0 EVIDENCE SUBMITTED

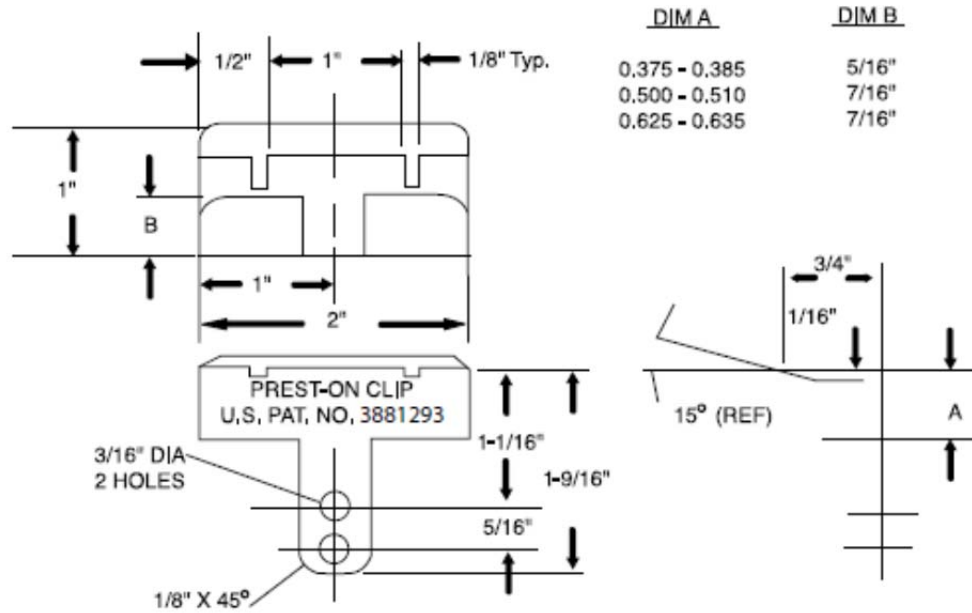
- 6.1 Data in accordance with the ICC-ES Acceptance Criteria for Alternative Gypsum Board Supports (AGBSs) (AC271), dated October 2009 (editorially revised February 2014).
- 6.2 Reports of fire-resistance testing in accordance with ASTM E119.

6.3 Reports of racking shear tests in accordance with ASTM E72.

manufacturer's name (Prest-On Co.) and the evaluation report number (ESR-1812).

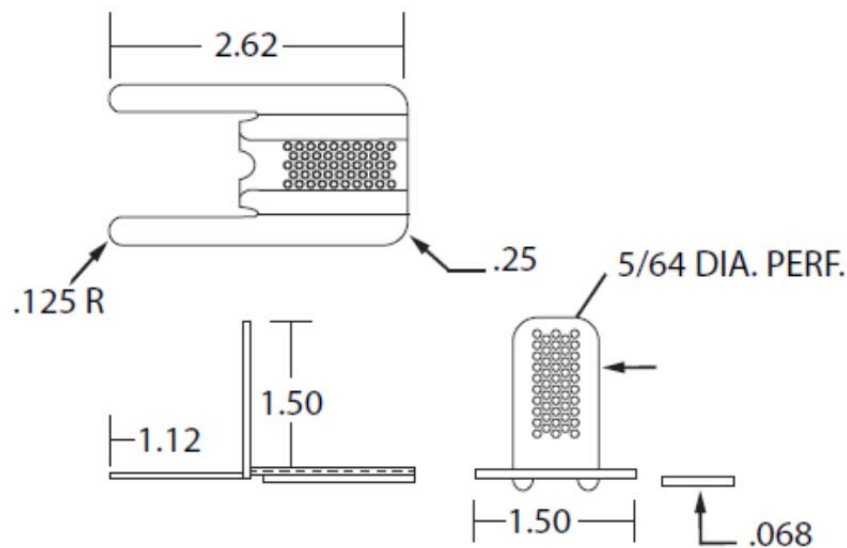
7.0 IDENTIFICATION

The Prest-On Cornerback, Framedback, and Insta-Back clips are marked, on the product or the packaging, with the



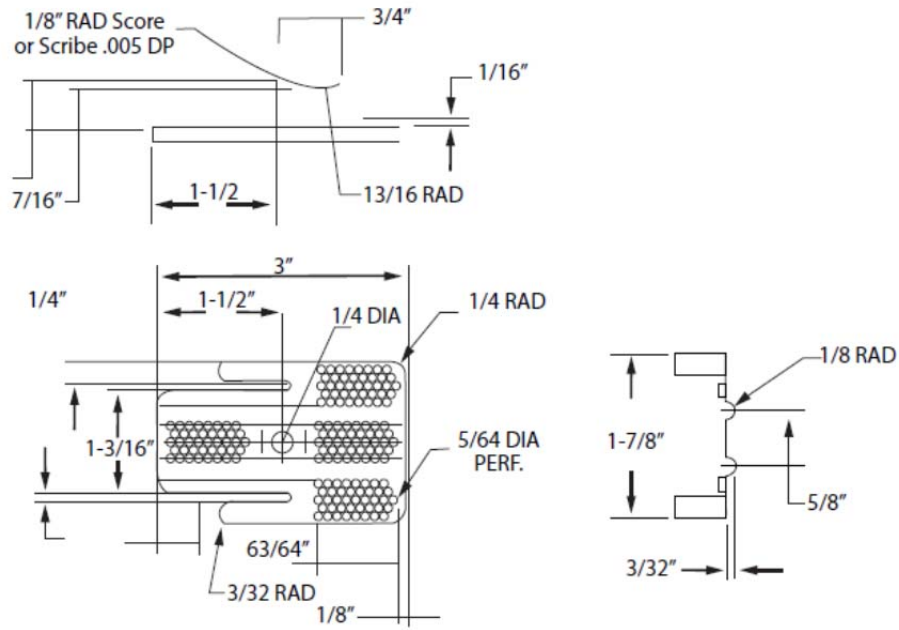
For SI: 1 Inch = 25.4 mm.

FIGURE 1—PREST-ON CORNERBACK



For SI: 1 inch = 25.4 mm.

FIGURE 2—PREST-ON FRAMERBACK



For SI: 1 inch = 25.4 mm.

FIGURE 3—PREST-ON INSTA-BACK

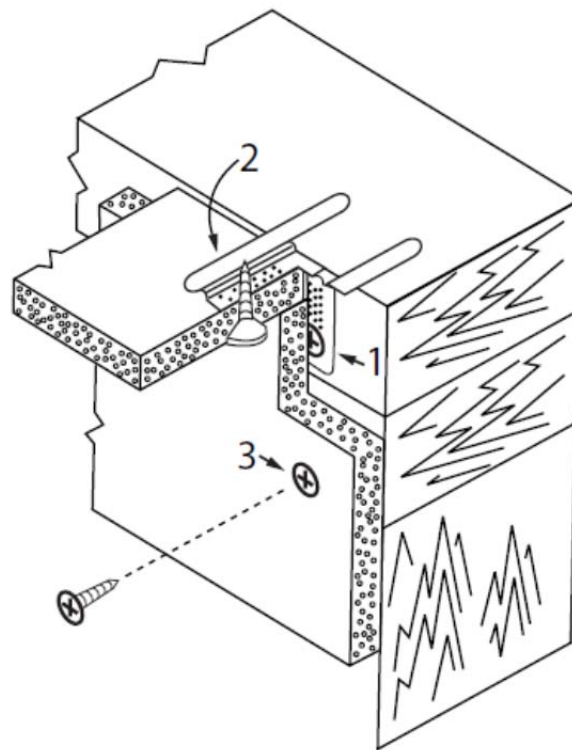


FIGURE 4—PREST-ON FRAMERBACK INSTALLATION

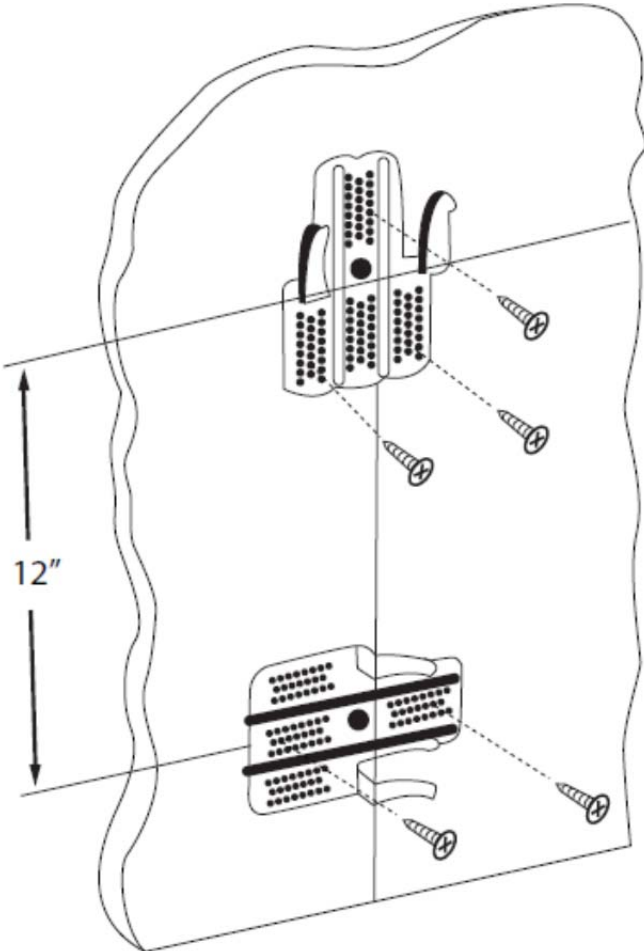


FIGURE 5—PREST-ON INSTA-BACK INSTALLATION (FIRST ILLUSTRATION)

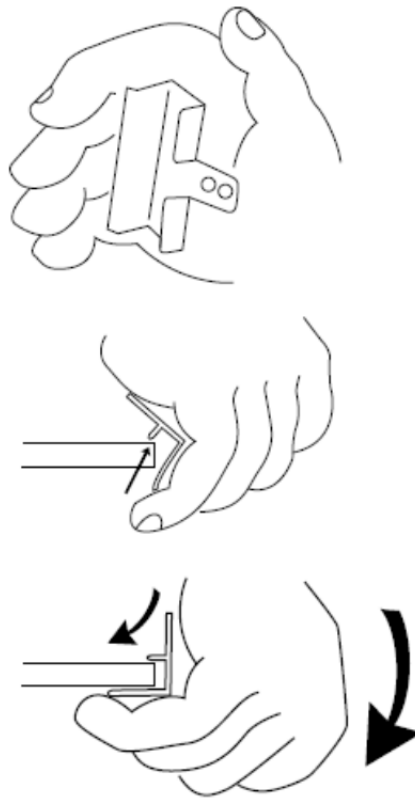


FIGURE 6—PREST-ON CORNERBACK INSTALLATION (FIRST ILLUSTRATION)

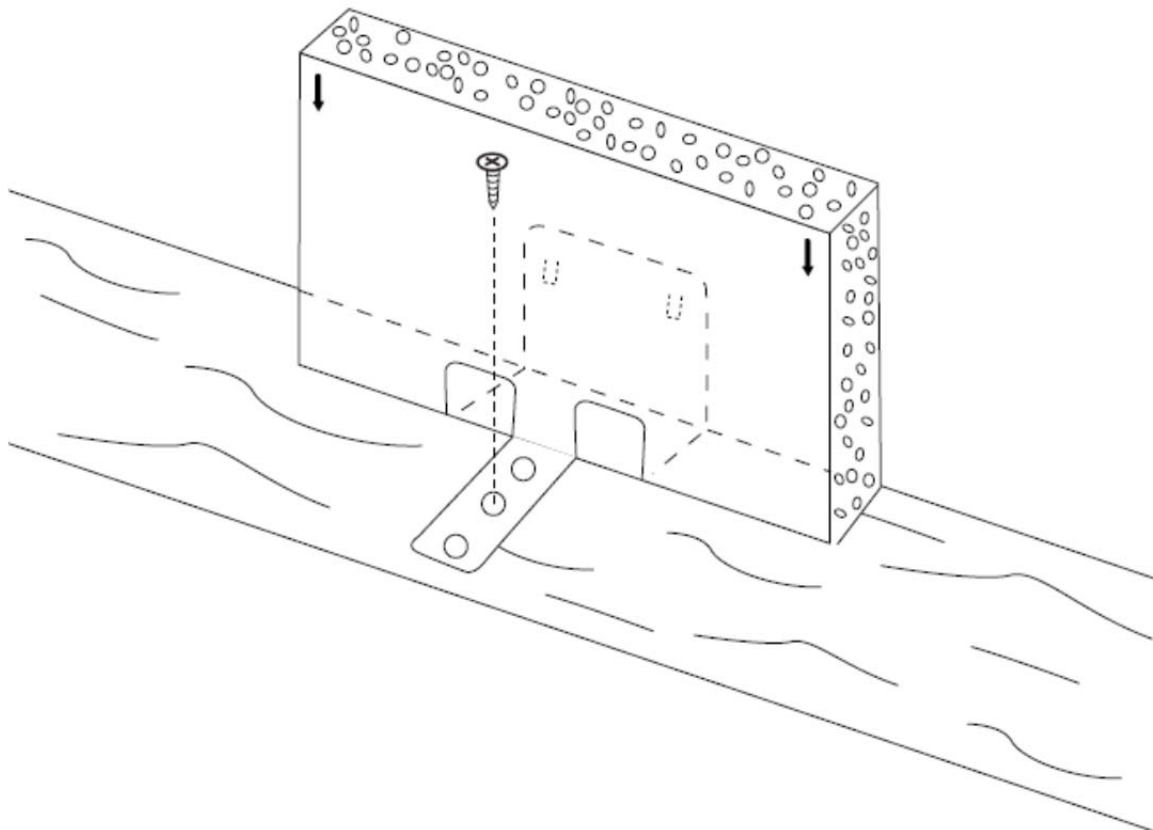


FIGURE 7—PREST-ON CORNERBACK INSTALLATION (SECOND ILLUSTRATION)

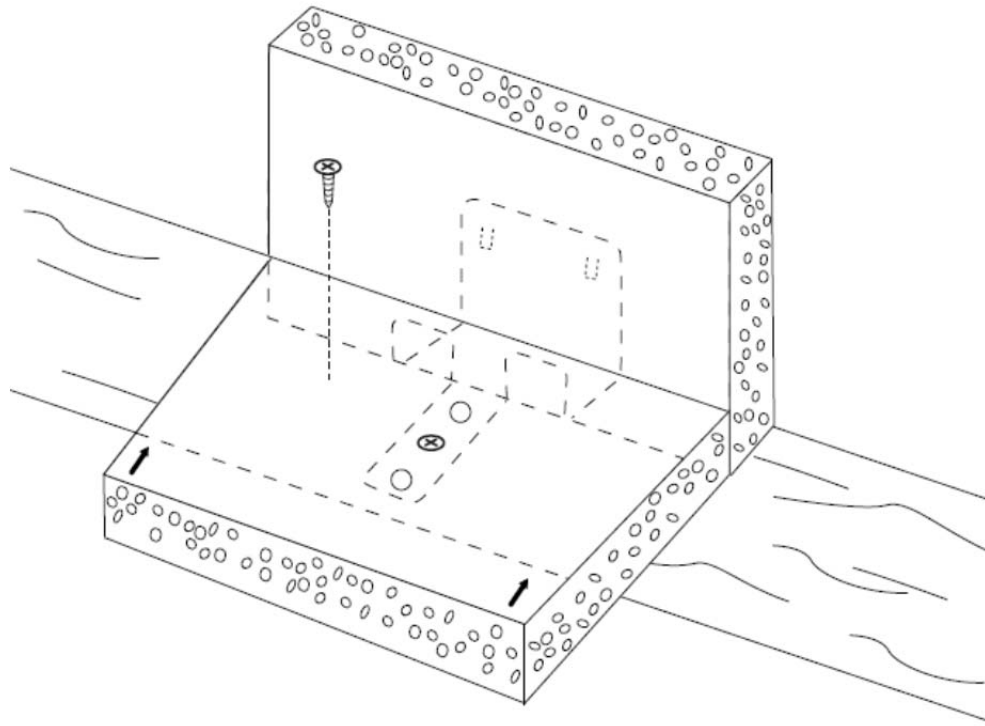


FIGURE 8—PREST-ON CORNERBACK INSTALLATION (THIRD ILLUSTRATION)

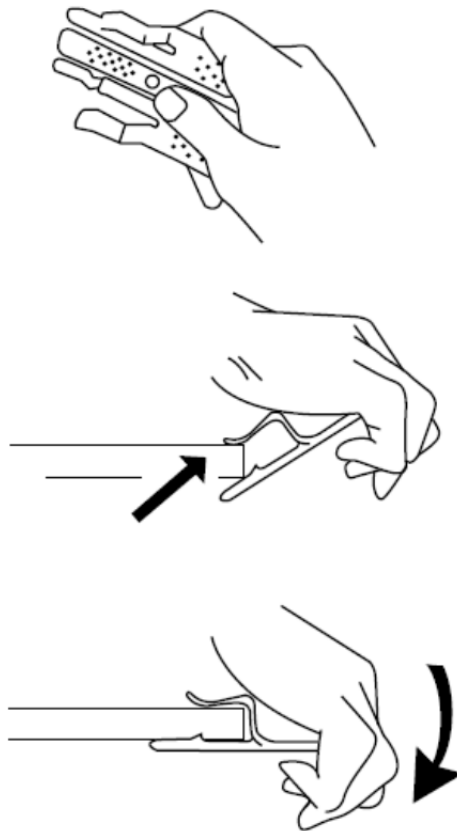
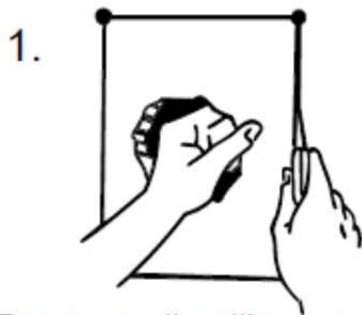
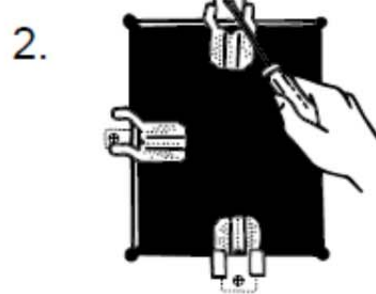


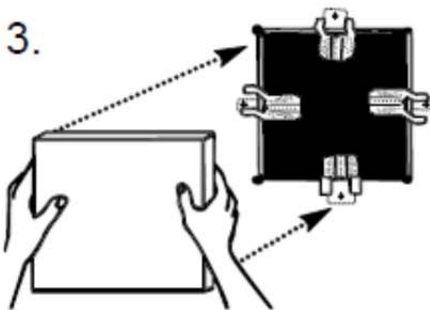
FIGURE 9—PREST-IN INSTA-BACK INSTALLATION (SECOND ILLUSTRATION)



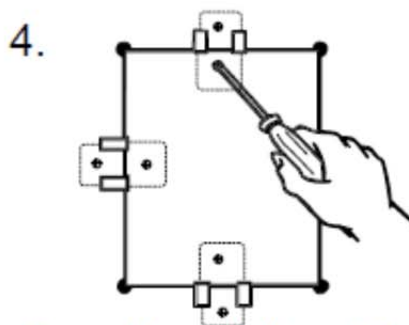
1. Draw pencil outline around the area to be removed. Cut along line and remove cut out piece.



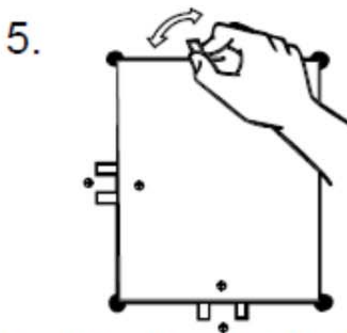
2. Place Repair Clips 6" apart around the hole. Secure with screws 3/4" from the hole edge.



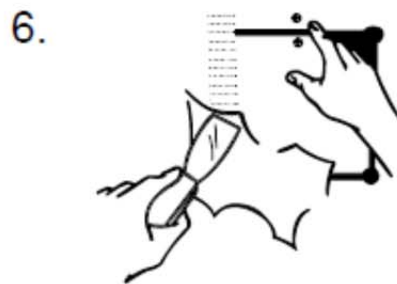
3. Cut a patch to the proper size and place in the hole.



4. Screw through the patch into Repair Clips. Place screws 3/4" from the edge of the patch.



5. Bend the Repair Clip tabs back and forth until they snap off.



6. Finish the patched area with the appropriate materials.

FIGURE 10—PREST-ON INSTA-BACK INSTALLATION (THIRD ILLUSTRATION)